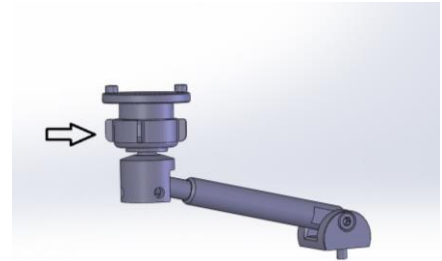
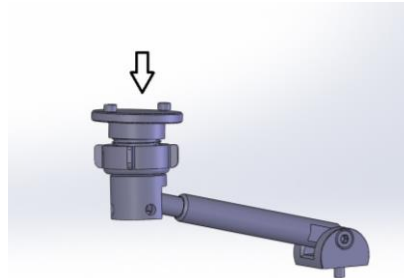
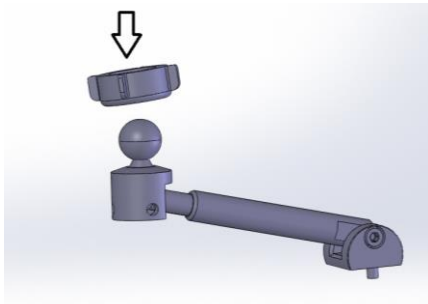


TECHMOUNT

Part # 4-70048, 4-70050, 4-70051,4-70052,4-70053,4-70055,4-70056, 4-70058
Euro-Mounts



Instructions:

This mount system is designed to mount into one of the fork tubes above the top triple clamp on many European motorcycles. (Left or right side)

The mount is shipped fully assembled so it is necessary to remove the shaft from the mount base in order to access the mounting screw inside the base pivot.

1. Slide the mount over the fork tube, rotate into position and tighten the 9/64 socket head screw to tighten the mount.
2. To adjust the shaft angle and height. Remove the 10-32 socket head screw from the lower end of the mount with the supplied 5/32" hex wrench and remove the shaft and set aside.
3. Loosen the Base Pivot mounting screw (1/8" hex wrench) and adjust base pivot to desired angle and re-tighten the screw.
4. Re-install the shaft from step 2.
5. Adjust the shaft and top socket angle to suit and snug all the fasteners. The 17mm top will accept any TechMount 4th generation accessory.

For more information call or e-mail us at:

www.techmounts.com

info@techmounts.com

Toll-free 866 341-4193

Part #4-70048 / 4-70050 / 4-70050X

Part# 4-70051 / 4-70052

Part# 4-70053 / 4-70055 / 4-70058

(Euro Mount)

Tool Kit Includes:

1 5/32" hex key

1 3/32" hex key

1 9/64 hex key

LIMITED WARRANTY AND DISCLAIMER

High Gear Specialties, Inc. ("High Gear") warrants the Techmount (the "Mount"), as described and identified in the accompanying installation instructions, to be free from defects in material and workmanship for a period of one (1) year from purchase (the "Warranty Period"). All warranty claims by the customer shall be made to High Gear Specialties, Inc., 940 W. Oakland Avenue, Suite A10, Oakland, FL 34787. Replacements shall not interrupt or prolong the term of this Warranty.

High Gear's obligation under this Warranty is limited, at its sole and exclusive option, to either the repair or replacement of the Mount where a defect has been claimed during the Warranty Period, and which is returned, freight prepaid, to High Gear at the address given above. Upon inspection by High Gear, the Mount or parts thereof which prove to be defective will be repaired or replaced at no charge.

THE WARRANTY SET FORTH ABOVE IS EXCLUSIVE AND NO OTHER WARRANTY, WHETHER WRITTEN OR ORAL, IS EXPRESSED OR IMPLIED. HIGH GEAR SPECIFICALLY DISCLAIMS THE IMPLIED WARRANTIES OF MERCHANTABILITY AND FITNESS FOR A PARTICULAR PURPOSE.

The warranties set forth herein apply only to the original customer and are conditional upon the customer giving prompt notice to High Gear of any discovered defects during the Warranty Period. High Gear shall not be responsible for any other defects or damage, including, but not limited to, any defects or damage caused by or resulting from: (a) alterations to the Mount by anyone other than High Gear; (b) accident; (c) damage due to an intentional or negligent act of a third party; (d) abuse or negligence; (e) wear and tear; (f) mishandling; (g) failure to use the Mount in a safe and reasonable manner, or (h) force majeure. If the Mount, in the judgment of High Gear, shows evidence of having been altered, modified or repaired without the authorization of High Gear, the warranties set forth herein shall not apply.

High Gear's cumulative liability for damages of any kind whatsoever arising out of the use or possession of the Mount, regardless of the form of action, whether in contract or tort, including negligence or strict liability, shall be limited to the purchase price of the Mount that caused the damages or that is the subject matter of, or is directly related, to the cause of action.

IN NO EVENT SHALL HIGH GEAR BE LIABLE FOR INDIRECT, SPECIAL, INCIDENTAL, CONTINGENT OR CONSEQUENTIAL DAMAGES ARISING OUT OF THE USE OR POSSESSION OF THE MOUNT, WHETHER OR NOT HIGH GEAR HAS RECEIVED NOTICE OF THE POSSIBILITY OR CERTAINTY OR SUCH DAMAGES OR LOSSES.

25575 v1

High Gear Specialties, Inc.

940 W.Oakland Ave., Suite A10

Oakland, FL 34787